

1-step electric preheater for INSPIRO series

ENG

Technical documentation



1. Technical parameters:

Supply, V/Hz: 230/50

IP protection rating: 40

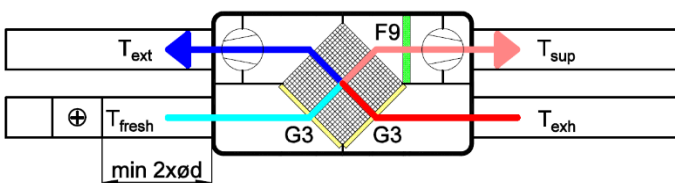
Model	Min. airflow, m ³ /h	Nominal current, A	Heating power, kW
INSPIRO 150/250/350	120	5.3	1.2
INSPIRO 500	180	10.6	2.4
INSPIRO 650/800	265	10.6	2.4
INSPIRO 1000/1300	375	15.9	3.6

2. Construction:

The body of electric heater is made of galvanized plate which is good at high temperature resistance, heat reflection rate and corrosion resistance. There are two rubber seal ring installed at the end of the electric heater to make it easier to be connected with other ducts.

3. Installation:

The length of a straight pipe connecting the heater and an unit should be equal or higher than twice diameter of this pipe (like it is shown on the picture below).



4. Operation:

The heater increases the temperature of air flowing through it. As it is just the on/off heater, it is impossible to achieve the required air temperature with this heater without a specified controlling system. From this reason, it is recommended to use the item as a preheater in a ventilation system. The selection of the appropriate model depends on the required temperature rise.

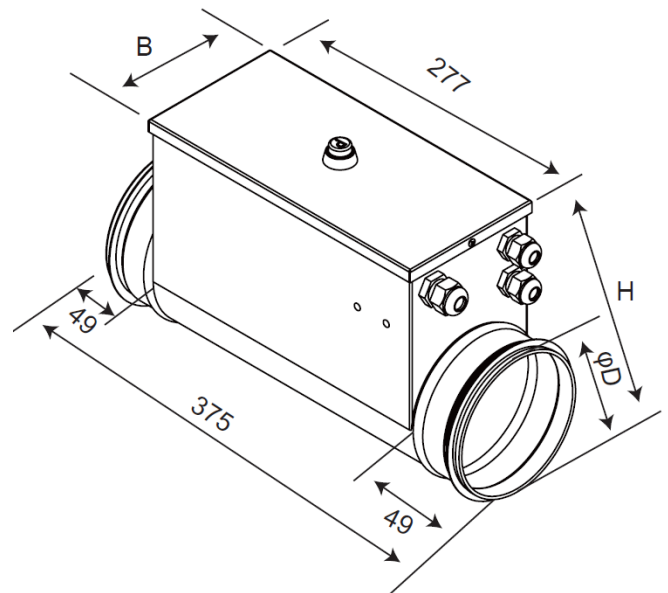
5. Thermal protection:

All models are equipped with two-stage of temperature protection: automatically recover of 50°C temperature control switch and manual recover of 100°C temperature control switch.

Moreover, in case of connection to INSPIRO or VERTIC, if INSPIRO's or VERTIC's driver detects fan error, the connected heater would be turn off.

Attention: Before manually resetting the temperature control switch, the reason for the action of the temperature control switch should be found out, and the heater should be powered on again after the fault is eliminated.

6. Dimensions & Weights:



Model	ØD, mm	B, mm	H, mm	Weight, kg
INSPIRO 150/250/350	149	129	237	1.85
INSPIRO 500	199	129	287	2.40
INSPIRO 650/800	249	129	337	2.75
INSPIRO 1000/1300	249	129	337	3.15

7. Wiring diagram (cooperation with INSPIRO):

⚠ WARNING: Please arrange the professional technician to install this product according to installation drawing and instruction.

RISK OF ELECTRICAL SHOCK: Disconnect power supply before making electrical connection. Contact with components carrying hazardous voltage can cause electrical shock and may result in severe personal injury or death.

Preheater of INSPIRO unit - set parameter number 01 to value 1 to activate the heater function on INSPIRO control panel. Then change the SW4-1 on PCB to be ON position - the system will automatically control the OA heater on/off according to the OA temperature (pls note that only LD3 work). You can find more information in points 6.3 and 6.6 of datasheet of INSPIRO series.



LEGEND FOR THE DIAGRAMS

1. Main switch, overcurrent circuit breaker and another installation protections
2. Relay module RM-16A
3. 1-step electric preheater for INSPIRO series

8. Warranty:

We offer the warranty of 24 months from the sales day. Please become acquainted with the Warranty Terms on the website <http://www.reventongroup.eu/en/complaints>.